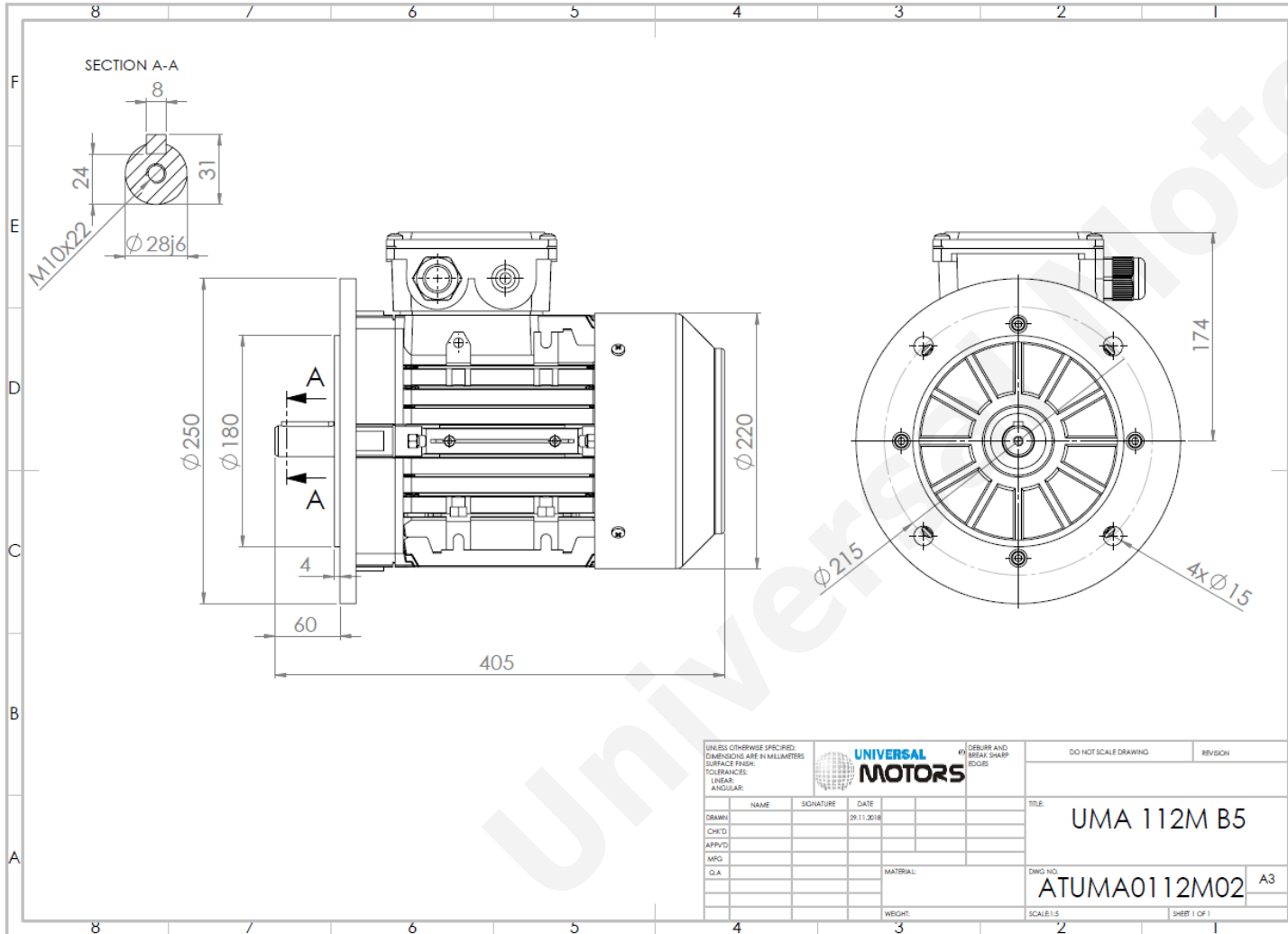




TECHNICAL DATA

Three Phase Electric Motors - Aluminum Frame
 UM2A 112M1-4
 4 kW / 5.5 Cv
 1440 RPM



Motor type:	UM2A 112M1-4
Output:	4 kW / 5.5 Cv
Speed (min ⁻¹):	1440 RPM
Frequency:	50 Hz
Voltage:	400 V
Current:	8.13 A
Power factor (Cos Ø):	0.82
Poles:	4
Insulation class:	F
Temperature rise Class:	B
Efficiency 50%:	87.2 %
Efficiency 75%:	87.7 %
Efficiency 100%:	86.6 %
Torque:	27 N.m
Tstarting/Tnominal:	2.5
Istarting/Inominal:	7.9
Tmaximum/Tnominal:	3.3
Noise:	65 Db(A)
Weight:	31.4 Kg
Brake AC:	AC6
Torque Brake DC:	60 N.m
Bearing DE:	6306 2Z
Bearing NDE:	6206 2Z
Torque Brake AC:	60 N.m
Brake DC:	REB-05-14

Regime - S1

Altitude - 1000m

Environment Temperature - 40°C

CONTACTS:

UNIVERSAL MOTORS Tel: +351 252 299 080
 Rua de São Brás, 745 Fax: +351 252 299 089
 4480-782 VILA DO CONDE Mail: geral@universalmotors.pt

* References applied only in the UK